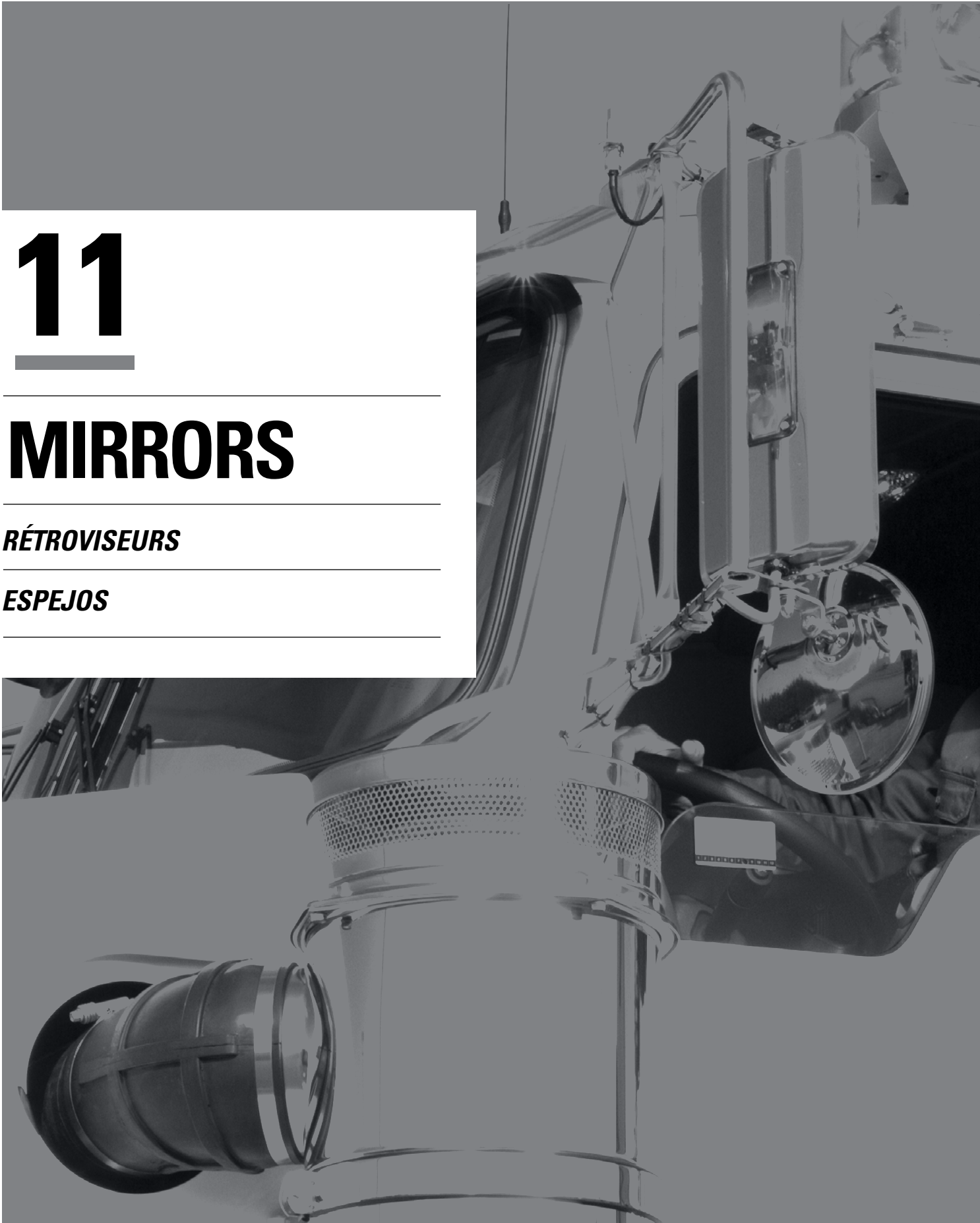


# 11

## MIRRORS

*RÉTROVISEURS*

*ESPEJOS*



## WEST COAST MIRRORS

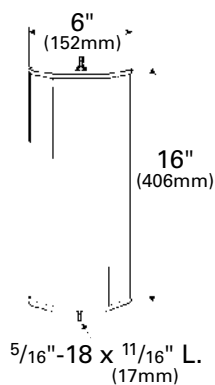
Whether you reside near the Pacific, Atlantic, or any place in between, West Coast Mirrors give you maximum visibility. Don't let the name confuse you—if you need enhanced rear view capability, are looking for retro-styling, or making an OEM-quality repair or replacement—premium Grote® West Coast mirrors will do the trick. Pick the style, color, and features you need and you will be on your way.



16021



16023



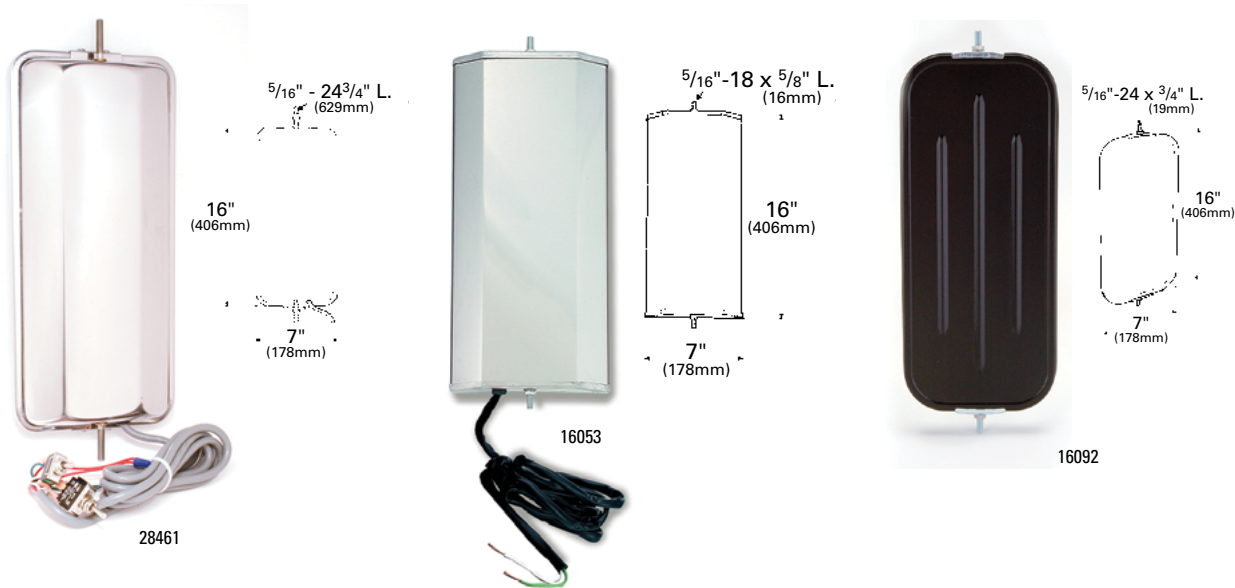
16244

### 6" X 16" WEST COAST MIRRORS

Part Number	Description	Back Style	Back Color	Reflective Area	Housing Material	Regulations / Standards
16021	OEM Style, Powder-Coated	Angle	White	101 Sq. In.	Steel	FMVSS 111, 10,000+ lbs
16023	OEM Style, Powder-Coated	Angle	Stainless Steel	101 Sq. In.	Steel	FMVSS 111, 10,000+ lbs

VMRS Code: 002-010-006

## WEST COAST MIRRORS



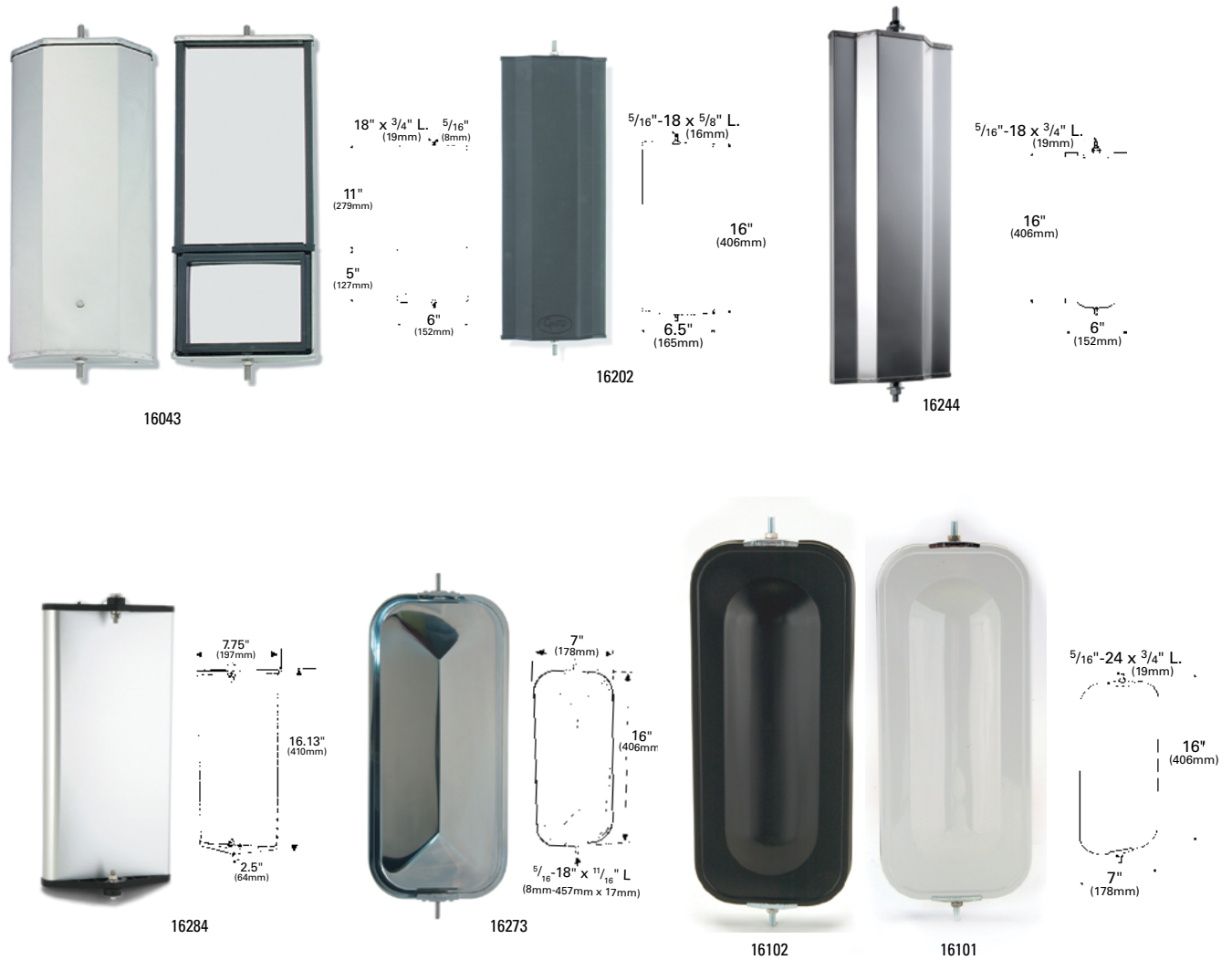
### 7" X 16" WEST COAST HEATED MIRRORS

Part Number	Description	Back Style	Back Color	Reflective Area	Housing Material	Volts / Amps	Regulations / Standards
28461	Remote Control, Heated, Motorized	Angle	Stainless Steel	94 Sq. In.	Steel	12V/3.1A	FMVSS 111, 10,000+ lbs
28463	Remote Control, Heated	Angle	Stainless Steel	94 Sq. In.	Steel	12V/3.1A	FMVSS 111, 10,000+ lbs
16053	OEM Style, Heated	Angle	Stainless Steel	101 Sq. In.	Steel	12V/3.1A	FMVSS 111, 10,000+ lbs
16153	OEM Style, Pyramid	Peak	Stainless Steel	101 Sq. In.	Steel	12V/1.25A	FMVSS 111, 10,000+ lbs

### 7" X 16" WEST COAST MIRRORS

Part Number	Description	Back Style	Back Color	Reflective Area	Housing Material	Regulations / Standards
16091	OEM Style, Powder-Coated	Ribbed	White	93 Sq. In.	Steel	FMVSS 111, 10,000+ lbs
16092	OEM Style, Powder-Coated	Ribbed	Black	93 Sq. In.	Steel	FMVSS 111, 10,000+ lbs
16093	OEM Style, Natural Finish	Ribbed	Stainless Steel	93 Sq. In.	Steel	FMVSS 111, 10,000+ lbs
26001-5 <small>RETAIL</small>	OEM Style, with Arm Assembly	Ribbed	White	93 Sq. In.	Steel	FMVSS 111, 10,000+ lbs
16041	Split Focus with Adj. Convex	Angle	White Enamel	57 Sq. In. /20 Sq. In.	Steel	FMVSS 111, 10,000+ lbs
16043	Split Focus with Adj. Convex	Angle	Stainless Steel	57 Sq. In. /20 Sq. In.	Steel	FMVSS 111, 10,000+ lbs
16123	OEM Style, Powder-Coated	Angle	Stainless Steel	101 Sq. In.	Steel	FMVSS 111, 10,000+ lbs
16202	Economy, Warp Proof	Angle	Black	95 Sq. In.	Polypropylene	FMVSS 111, 10,000+ lbs
16244	Economy, Aluminum	Angle	Metallic	87 Sq. In.	Aluminum	
16284	Navistar® OEM Replacment	Flat	Metallic	101 Sq. In.	Aluminum	FMVSS 111, 10,000+ lbs
16273	OEM Style, Pyramid	Peak	Stainless Steel	101 Sq. In.	Steel	FMVSS 111, 10,000+ lbs
16101	OEM Style, Powder-Coated	Bubble	White	93 Sq. In.	Steel	FMVSS 111, 10,000+ lbs
16102	OEM Style, Powder-Coated	Bubble	Black	93 Sq. In.	Steel	FMVSS 111, 10,000+ lbs

VMRS Code: 002-010-006



## WEST COAST MIRROR ACCESSORIES



### WEST COAST MIRROR BRACKET ASSEMBLY

22013 Stainless Steel

**Material:** Stainless Steel



### C-LOOP BRACKET

22233 Stainless Steel

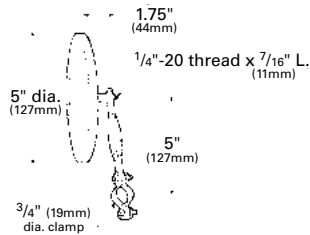
**Material:** Stainless Steel  
**Finish:** Stainless Steel



### WEST COAST HEATING ELEMENT REPLACEMENT

29060 Element

**Material:** Adhesive Black Heated Board  
**Volts / Amps:** 12V / 3.1 AMP



28033

## 5" ROUND CLAMP-ON SPOT MIRROR

Provides wider vision • Includes arm and clamp to attach securely to mirror arm • Single-strength silvered mirror

### 5" CONVEX:

**28032** Black, Powder-Coated, w/ Arm Assembly

**28033** Stainless Steel, w/ Arm Assembly

**28033-5** Stainless Steel, w/ Arm Assembly **RETAIL**

### 5" FLAT GLASS:

**28162** Black, Powder-Coated, w/ Arm Assembly

**28152** Black w/ "L" Bracket

**Material:** Stainless Steel, Steel

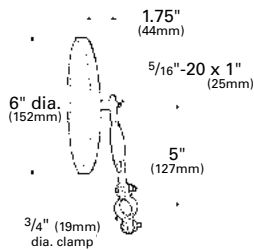
**FMVSS:** 111 Vehicles with GVWR greater than 10,000 lbs.

**Reflective:** 20 sq. in.

**Finish:** Stainless, Black

**Accessory:** Extension Arm: 10073

**VMRS Code:** 002-010-026 - 28032, 28033, 28033-5, 28152  
002-010-006 - 28162



28663

## 6" CONVEX CENTER-MOUNT SPOT MIRROR

Features stainless steel construction and adjustable ball swivel

• Available with or without "L" bracket

### MIRROR HEAD ONLY

**12053** Stainless Steel

**12052** Black

### MIRROR HEAD AND "L" BRACKET

**28663** Stainless Steel

### MIRROR HEAD AND ARM ASSEMBLY

**28042** Black, Powder-Coated

**28043** Stainless Steel

**Material:** Stainless Steel, Steel

**FMVSS:** 111 Vehicles with GVWR greater than 10,000 lbs.

**Reflective:** 28 sq. in.

**Finish:** Stainless, Black

**Accessory:** Arm Assembly: 10173 (with "L" Bracket)

**Bracket:** 11303 ("L" Bracket Only); 10073 (Arm Assembly Only)

**VMRS Code:** 002-010-026 - 12053, 28663, 28042, 28043  
002-010-008 - 12052

### 8" ROUND CONVEX MIRROR WITH CENTER-MOUNT BALL-STUD

Three-screw stud tightens firmly • 1/4" UNC female ball stud • Painted mirrors feature rugged powder-coat finish • Heated mirror includes 60" two-conductor jacketed blunt-cut cable and adhesive heater board (12283)

- 12182 Black
- 12183 Stainless Steel
- 12293 Stainless Steel with Attached "L" Bracket

**HEATED MIRROR:**

- 12283 Stainless Steel

**PLASTIC HOUSING:**

- 12983 Chrome

**Material:** Stainless Steel / Steel / Polypropylene

**Reflective:** 46.7 sq. in.

**Finish:** Stainless, Black, Chrome

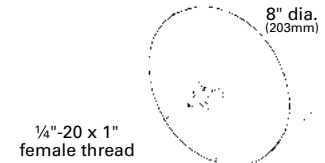
**Volts / Amps:** 12V / 1.18A

**Bracket:** 11133

**VMRS Code:** 002-010-026



12283



### 8" ROUND CONVEX MIRROR WITH OFFSET BALL-STUD

Easy mounting in tight installations • Ball-stud offset 2" from center • Heated mirror includes 60" two-conductor jacketed blunt-cut cable and adhesive heater board (12813)

- 12172 Black, Powder-Coated
- 12173 Stainless Steel

**HEATED MIRROR:**

- 12813 Stainless Steel

**Material:** Stainless Steel / Steel

**Reflective:** 46 sq. in.

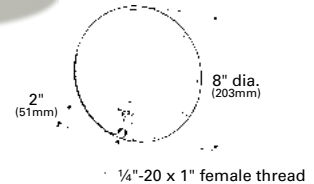
**Finish:** Stainless, Black

**Volts / Amps:** 12V / 1.18A

**VMRS Code:** 002-010-026 - 12172, 12173  
002-010-037 - 12813



12172



### 8 1/2" CONVEX MIRROR WITH CENTER-MOUNT, BALL-STUD

Adjustable ball stud mounting • Single-strength, silvered mirror • Includes "L" Bracket

- 16033 Stainless Steel
- 16032 Black

**PLASTIC HOUSING:**

- 12983 Chrome

**Material:** Stainless Steel / Steel/Polypropylene

**Reflective:** 56 sq. in.

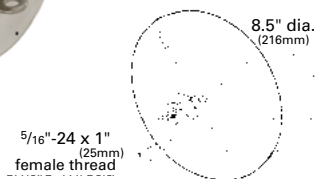
**Finish:** Stainless, Black, Chrome

**Bracket:** 11303

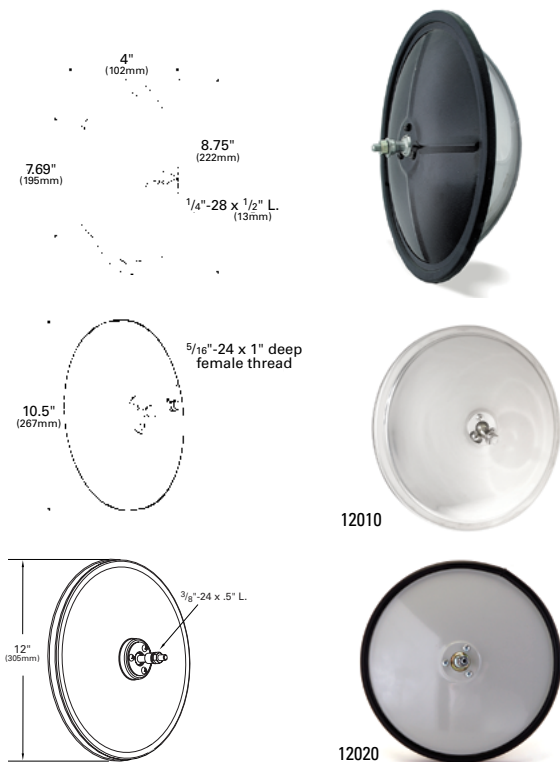
**VMRS Code:** 002-010-026



16033







## 8" ELLIPTICAL MIRROR

Eliminates blind spots • Optimum crossover viewing  
 • 4 1/4" radius x 7 11/16" dia.

**12272-5** Black, Mirror Head Only

**RETAIL**

**Material:** Steel / Acrylic

**Reflective:** 45 sq. in.

**Finish:** Black

**VMRS Code:** 002-010-026

## CONVEX MIRROR WITH CENTER MOUNT

Popular for highway service vehicles • Reinforced internal retainers  
 • Large steel ball-stud for precise positioning • Replacement for 10 1/2" crossover mirrors

**10 1/2" CONVEX MIRROR:**

**12010** Stainless Steel

**12" CONVEX MIRROR:**

**12020** Gray, 3/8" - 24 11/16", Deep-Thread Ball-Stud

**Material:** Stainless Steel / Steel

**Reflective:** 10 1/2" - 95 sq. in.; 12" - 135 sq. in.

**Finish:** Stainless/Gray

**VMRS Code:** 002-010-026

## ADJUSTABLE MIRROR ASSEMBLY

Arm adjustable from 10" to 13" • Swivel bracket enables precise adjustment • Chrome arm and brackets

**28193** 6" Mirror (12053) and Adjustable Arm Assembly

**ARM ASSEMBLY ONLY**

**10433** Arm & Swivel Bracket Only

**Material:** Stainless Steel (12053), Steel (10433)

**Reflective:** 26 sq. in.

**Finish:** Stainless (mirror head) / Chrome (arm assembly)

**VMRS Code:** 002-010-006 - 28193

002-010-013 - 10433

## CONVENTIONAL FENDER-MOUNT MIRROR

8" stainless steel convex mirror • Stainless steel brackets • Bell cup mounting for fiberglass fenders • Grote® 8" convex mirror (12182/3) will fit bracketry

**28443** Stainless Steel (Assembly Including Mirror)

**ARM ASSEMBLY ONLY**

**22193** Stainless Steel

**MIRROR HEAD ONLY**

**12183** Stainless Steel

**Material:** Stainless Steel

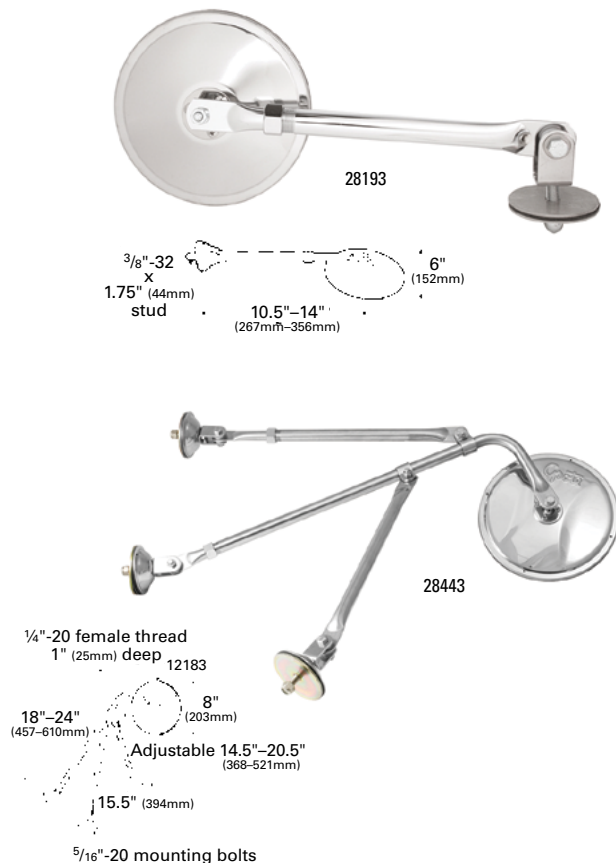
**Reflective:** 46 sq. in.

**Finish:** Stainless

**VMRS Code:** 002-010-006 - 28443

002-010-013 - 22193

002-010-026 - 12183



### SCHOOL BUS EXTERIOR BLIND SPOT MIRROR

Meets state laws for blind spot visibility • Zinc-plated bracketry  
• 8" convex mirror

**28063** Vertical-Mount Assembly, Stainless Steel  
**11195** Bracket Only w/o Mirror

**MIRROR HEAD ONLY**

**12183** Stainless Steel

**Material:** Stainless Steel, Steel

**Reflective:** 46 sq. in.

**Finish:** Stainless

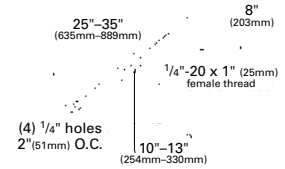
**VMRS Code:** 002-010-006 - 28063

002-010-013 - 11195

002-010-026 - 12183



28063



### 8 1/2" CONVEX CROSS-OVER MIRROR

Ideal for improving safety on straight trucks and delivery trucks

• Features rugged tripod mount for front or rear

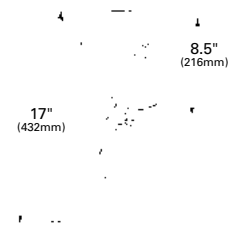
**28481** White, Mirror Assembly

**Material:** Steel

**Reflective:** 56 sq. in.

**Finish:** White

**VMRS Code:** 002-010-026



### HOOD-MOUNTED MIRROR

Bright stainless steel finish • Assembly comes with both a curved and straight extension for improved vision and range of application

• Kit includes backing plate, gasket, mounting hardware, and instructions  
• 8 1/2" convex stainless steel mirror head included

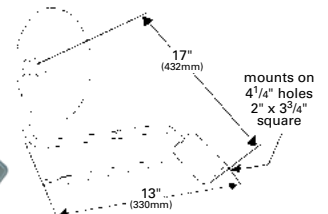
**12153** Stainless Steel

**Material:** Stainless Steel

**Reflective:** 56 sq. in.

**Finish:** Stainless

**VMRS Code:** 002-010-026



### 10 1/2" CONVEX CROSS-OVER MIRROR

Ideal for improving safety on straight trucks and delivery trucks • Features rigid 90° bracket

**28491** White, Mirror Assembly

**28493** Stainless Steel, Mirror Assembly

**Material:** Stainless Steel, Steel

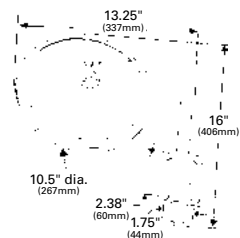
**Reflective:** 95 sq. in.

**Finish:** Stainless / White

**VMRS Code:** 002-010-026



28493







**SPLIT MIRROR**

Swing-away feature with detent • Fits right or left side • Top mirror is 6 1/2" x 10" flat glass • Bottom mirror is 6 1/2" x 6" convex

**28453** Stainless Steel

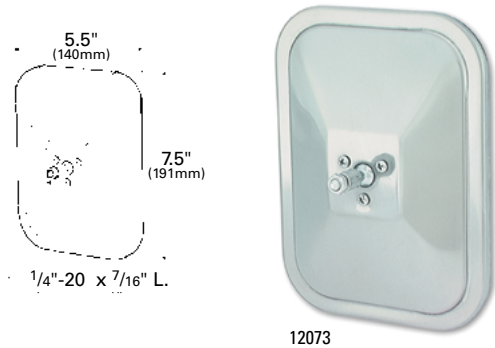
**REPLACEMENT 6 1/2" X 10" MIRRORS:**

**12301** White  
**12303** Stainless Steel

**REPLACEMENT 6 1/2" X 6" MIRRORS:**

**12331** White  
**12333** Stainless Steel

**Material:** Stainless Steel, Steel  
**Reflective:** 10" - 56 sq. in.; 6" - 33 sq. in.  
**Finish:** Stainless, White  
**VMRS Code:** 002-010-006 - 28453  
002-010-026 - 12301, 12303, 12331, 12333

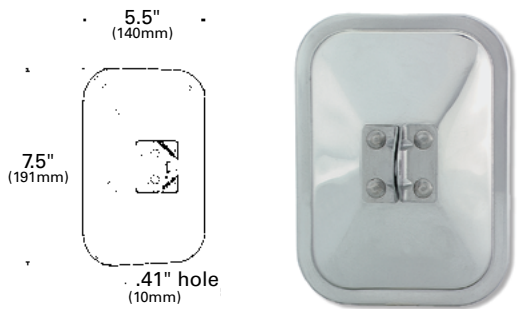


**ROLLED-RIM MIRROR WITH BALL SWIVEL**

1/4" - 20 x 7/16" ball swivel • Painted mirrors feature rugged powder-coated finish

**12071** White  
**12072** Black  
**12073** Stainless Steel  
**12073-5** Stainless Steel *RETAIL*

**Material:** Stainless Steel, Steel  
**Reflective:** 33 sq. in.  
**Finish:** Stainless, White, Black  
**VMRS Code:** 002-010-026

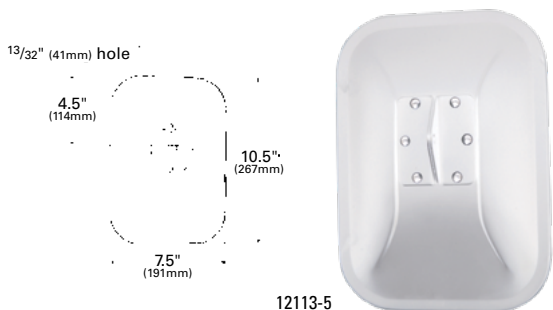


**ROLLED-RIM MIRROR WITH CENTER MOUNT**

Inner glass cushion

**12243-5** Stainless Steel *RETAIL*

**Material:** Stainless Steel  
**Reflective:** 33 sq. in.  
**Finish:** Stainless  
**VMRS Code:** 002-010-026



**BELOW-EYE-LEVEL MIRROR**

Offset mount • 7 1/2" x 10 1/2" mirror • Painted mirrors feature rugged powder-coated finish

**12111-5** White *RETAIL*  
**12113-5** Stainless Steel *RETAIL*

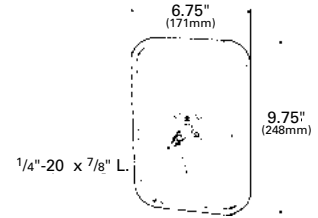
**Material:** Stainless Steel, Steel  
**Reflective:** 61 sq. in.  
**Finish:** Stainless, White  
**VMRS Code:** 002-010-026

### OUTER PROTECTIVE BUMPER MIRROR

Ball swivel • 7" x 10" rectangular mirror • Features rugged powder-coated finish

12102 Black

**Material:** Steel  
**Reflective:** 52 sq. in.  
**Finish:** Black  
**VMRS Code:** 002-010-006



### SUPER TRIPOD-MOUNT MIRROR

Stainless steel tripod brackets • Offset mounting • Flips to total field of vision • Jumbo 7 1/2" x 10 1/2" stainless steel head

28323-5 Stainless Steel **RETAIL**

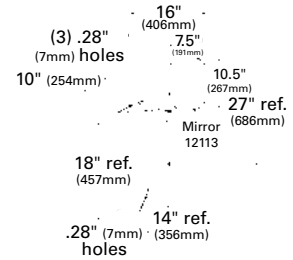
**MIRROR HEAD:**

12113-5 Stainless Steel **RETAIL**  
12111-5 White **RETAIL**

**Material:** Stainless Steel  
**Reflective:** 61 sq. in.  
**Finish:** Stainless, White  
**Accessory:** 90° Arm: 10623; Extension Arm: 10083  
**VMRS Code:** 002-010-006 - 28323-5  
002-010-026 - 12113-5, 12111-5



28323-5

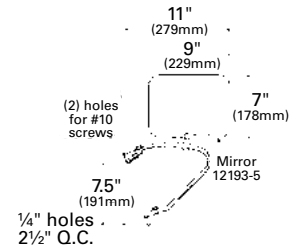


### 50" WIDE-VIEW MIRROR

OEM-styled mirror, fits right or left side • Two-screw ball swivel  
• Fits full-size pickup trucks and vans

12193-5 Stainless Steel, Mirror Only **RETAIL**

**Material:** Stainless Steel  
**Reflective:** 50 sq. in.  
**Finish:** Stainless  
**VMRS Code:** 002-010-026

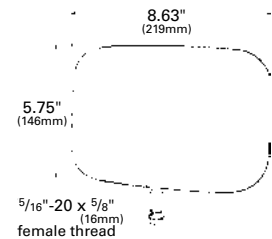


### FORD® TRUCK & VAN MIRROR

Swings back against body on impact • Memory detent locks back into original position

28393-5 Chrome Mirror w/ Anodized Aluminum Bracket **RETAIL**  
12263-5 Mirror Only **RETAIL**

**Material:** Steel, Aluminum  
**Reflective:** 38 sq. in.  
**Finish:** Aluminum  
**VMRS Code:** 002-010-006 - 28393-5  
022-010-026 - 12263-5



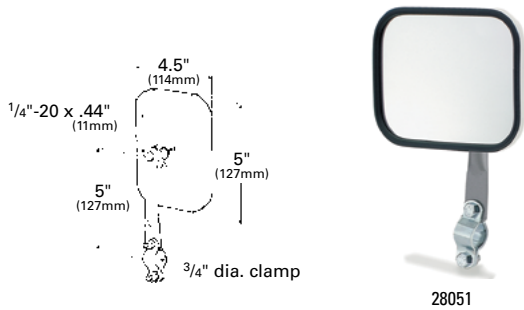


### MINI-TRUCK MIRROR

Fits door contours of mini import trucks • Easy-to-mount, plastic connectors  
• 5 1/2" x 7 1/2" mirror head

**28252-5** Black, Powder-Coated RETAIL

**Material:** Steel  
**Reflective:** 33 sq. in.  
**Finish:** Black  
**VMRS Code:** 002-010-006

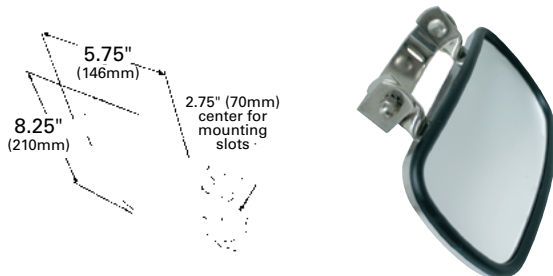


### RECTANGULAR STACK & SPOT MIRROR

Greater coverage of blind spots • Includes arm and clamp  
• Painted mirrors feature rugged powder-coated finish

**28051** White w/ Arm Assembly  
**12122** Black, Mirror Only

**Material:** Steel  
**Reflective:** 20 sq. in.  
**Finish:** White/ Black  
**VMRS Code:** 002-010-006 - 28051  
002-010-026 - 12122

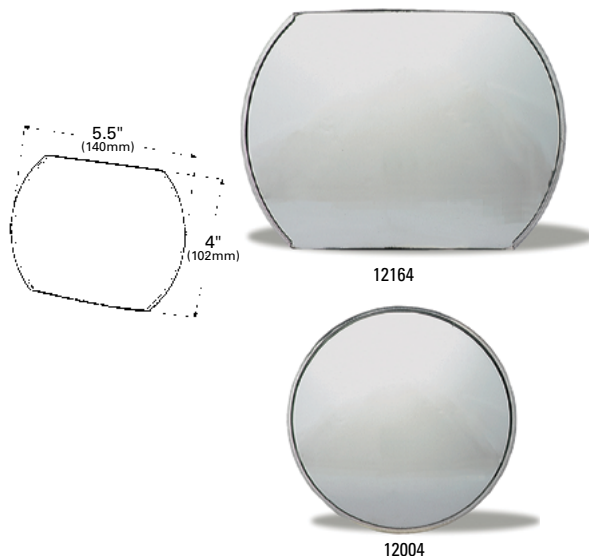


### RECTANGULAR OVER-THE-DOOR CONVEX MIRROR

9/16" x 5/16" mounting holes • For "look-down" mirror applications over passenger-side door

**28763** Over Door Convex

**Material:** Stainless Steel  
**Reflective:** 26 sq.in.  
**Finish:** Stainless  
**VMRS Code:** 002-010-026



### STICK-ON CONVEX MIRROR

Extends driver's view • Bonds instantly • Single-strength silvered mirror  
• Aluminum mirror back

**ROUND:**

**12004** 3" RETAIL  
**12004-5** 3" RETAIL  
**12014** 3 3/4" RETAIL  
**12014-5** 3 3/4" RETAIL  
**12201-5** 2" RETAIL

**RECTANGULAR:**

**12164** 4" x 5 1/2"  
**12164-5** 4" x 5 1/2" RETAIL

**Material:** Aluminum  
**Regulations / Standards:** 96-hour corrosion test per ASTM B-117, will withstand 30 lb. pull test  
**Finish:** Aluminum  
**VMRS Code:** 002-010-008

### HOT SPOT MIRROR

Fits any flat surface • Weather-resistant high-strength adhesive

12312-5 Black **RETAIL**

**Material:** Polypropylene  
**Finish:** Black  
**VMRS Code:** 002-010-008

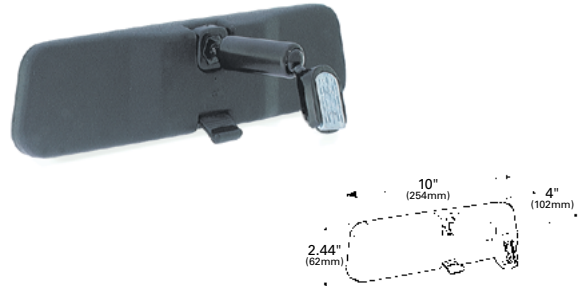


### 10" INSIDE REAR VIEW MIRROR

Non-glare adjustment lever • OEM styling • Includes mirror, mount, instructions, and adhesive

18302-5 Black **RETAIL**

**Material:** Polypropylene  
**Finish:** Black  
**VMRS Code:** 002-010-002

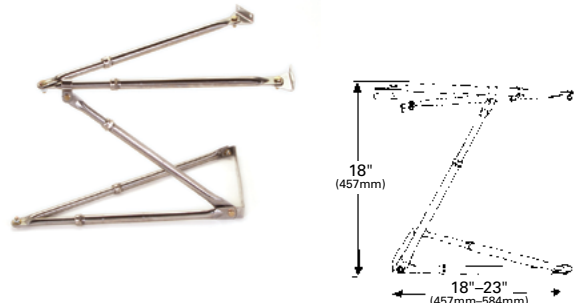


### WEST COAST MIRROR BRACKET ASSEMBLY

Complete kit includes mirror arms, mounting, hardware and instructions  
• Rigid mounting for West-Coast-style mirrors • Accommodates additional spot mirrors

22013 Stainless Steel

**Material:** Stainless Steel  
**VMRS Code:** 002-010-013

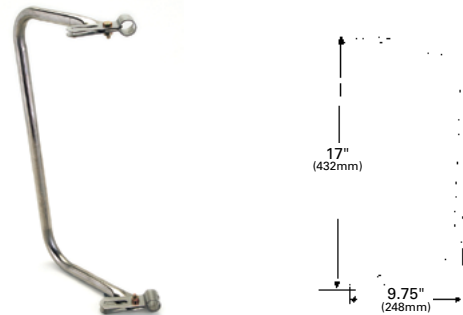


### C-LOOP BRACKET

Can be used in conjunction with most West-Coast-bracket assemblies  
• Allows for adjustable, "break-away" mounting of any 7"x16" or 6"x16" West Coast mirror • Accommodates additional stack-on spot mirrors

22233 Stainless Steel

**Material:** Stainless Steel  
**Finish:** Stainless  
**VMRS Code:** 002-010-013

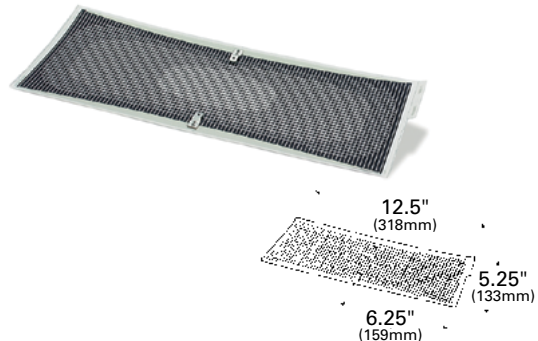


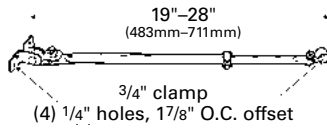
### WEST COAST HEATING ELEMENT REPLACEMENT

Defroster element fits West Coast style mirrors • Water-resistant  
• 40 watts • Fits 6" x 16" or 7" x 16" West Coast mirrors

29060 Element

**Material:** Adhesive Black Heated Board  
**Volts / Amps:** 12V / 3.1A  
**VMRS Code:** 002-010-006





### HEAVY-DUTY ADJUSTABLE BRACE ARM

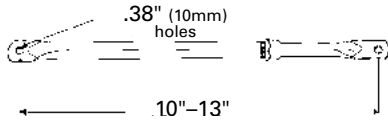
19"-28" • Zinc-coated steel

**10025** Adjustable Arm

**Material:** Steel

**Finish:** Zinc

**VMRS Code:** 002-010-013



### ADJUSTABLE MIRROR ARM

Features rugged powder-coated finish

**10"-13" ARM:**

**10002** Black

**14"-22" ARM:**

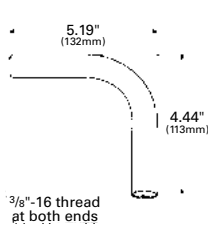
**10012** Black

**10013** Chrome

**Material:** Steel

**Finish:** Black, Chrome

**VMRS Code:** 002-010-013



### 90° EXTENSION ARM

4 1/2" offset length

**10623** Aluminum

**Material:** Aluminum

**Finish:** Chrome

**VMRS Code:** 002-010-013



3/8" (10mm) holes



7.25"  
(184mm)

### 8" FLAT MIRROR ARM

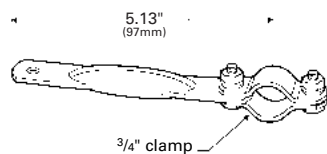
Silver metallic powder-coated finish

**10045** Silver Finish

**Material:** Steel

**Finish:** Silver metallic

**VMRS Code:** 002-010-013



### EXTENSION ARM & CLAMP ASSEMBLY FOR STACK MIRRORS

**10073** Extension Arm

**Material:** Stainless Steel

**Finish:** Stainless

**VMRS Code:** 002-010-013

## UNIVERSAL MOUNTING KIT

Complete kit includes extension arm, clamp mounting, and hardware  
 • Perfect for adding on spot mirrors • Suited for 5" and 6" spot mirrors

**10173** "L" Bracket

**Material:** Stainless Steel, Steel  
**VMRS Code:** 002-010-013



## STAINLESS STEEL "L" BRACKET

Allows mounting of convex mirror on West Coast mirror bracket

**11133** Stainless Steel

**Material:** Stainless Steel  
**VMRS Code:** 002-010-013



## THROUGH-HOLE STYLE "L" BRACKET

Rugged construction • Perfect accessory for adding on spot mirrors  
 • For 3/4" mirror arm tubing

**11303** "L" Bracket

**Material:** Stainless Steel  
**VMRS Code:** 002-010-013



## TUBE CLAMP

Kit includes clamp and hardware • Perfect accessory for adding spot mirrors  
 • Rugged, bright stainless steel bracket construction

**11293** 3/4" Clamp, 3/8" Holes

**Material:** Stainless Steel, Steel  
**VMRS Code:** 002-010-013

